

## Dovedale Picnic Table

### Fixings Supplied

- 8 off 6 x 80 screws
- 12 off M8 x 75mm bolts
- 4 off M8 x 140mm bolts
- 16 off nuts and washers
- 16 caps

### Components supplied

- 1 x Table Top
- 4 x Cross Members
- 4 x Seats
- 4 x Legs

### Tools Required (not supplied)

- 13mm ratchet  
(spanner will **NOT** work)
- Hammer

PLEASE READ THROUGH ALL THE INSTRUCTIONS BEFORE STARTING ASSEMBLY

Needs a minimum of 2 people to assemble. All nuts and bolts should be finger tight only when assembling. Only tighten fully when all components are aligned and in place. It is also important that the correct length bolts are used as indicated.

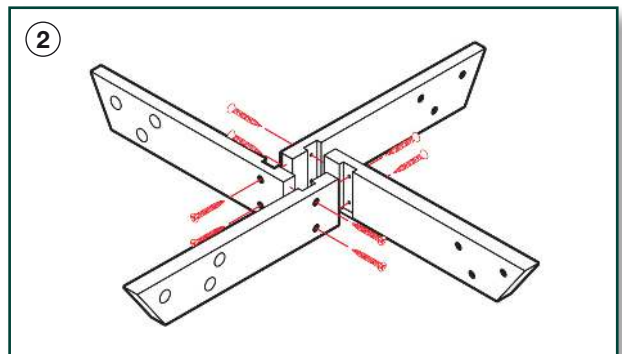
**NB.** The bolts are attached so that the nuts are in the countersunk holes.



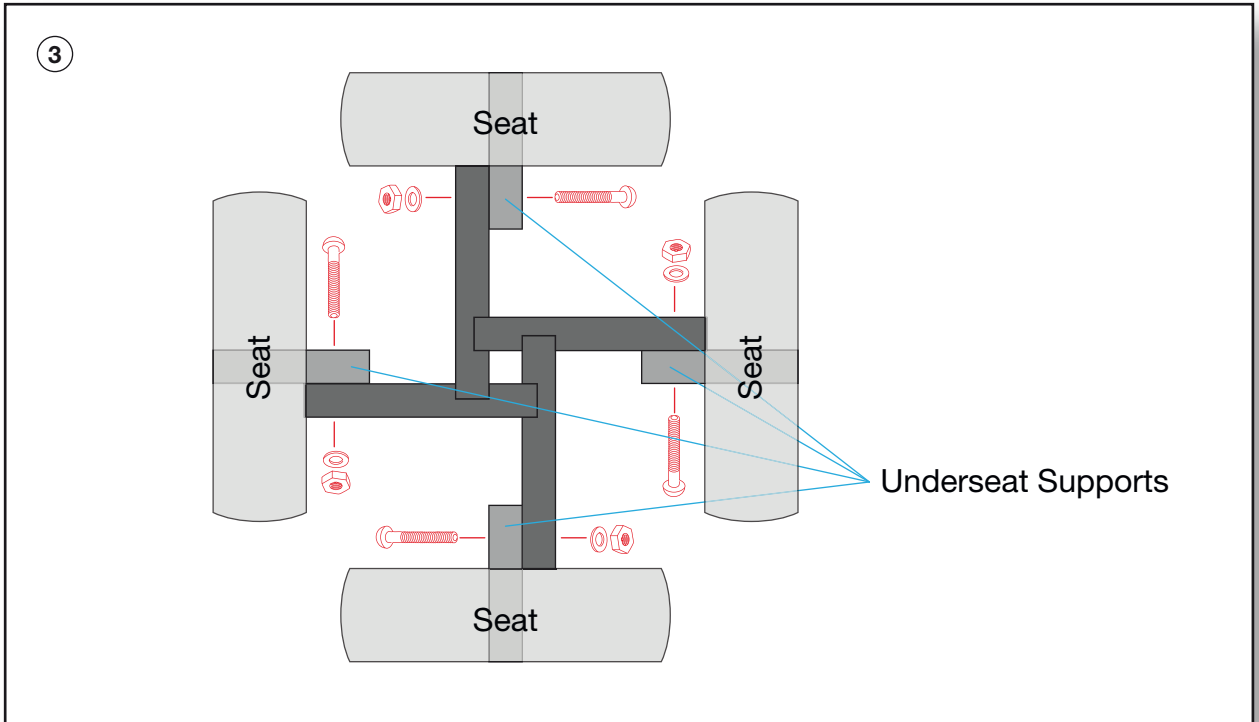
### Instructions

1. Place cross members as shown **diagram 2** and screw into place using the 6 x 80 screws (2 in each cross member).
2. Place seats against the completed cross member section as shown in **diagram 3**. Put M8 x 75mm bolts through the underseat support into the cross members.

Remember that the bolts go through from the non-countersunk side so that the nuts are in the countersunk holes.



*Assembly Instructions continue overleaf.*



## Assembly Instructions continued

Tap the head of each bolt with a hammer to bed the bolt collar into the plastic. This will need to be done to each bolt during installation. Place a washer and nut on the threaded end of the bolt but do not tighten fully.

3. Attach the cross member to legs with M8 x 75mm bolts, 2 in each leg to the cross member, as **diagram 4**.
4. Locate the blocks under the table top and position over the legs. Lower the table top so that the end of each leg is between the two blocks and attach each leg to the table top with an M8 x 140mm bolt, washer and nut.
5. Now tighten all fixings. Do **NOT** over tighten. Place the black caps over the ends of the bolts and nuts in the countersunk holes.
6. Please see **diagram 1** to see how the finished table should look.

Please retain these instructions for future reference and use.

